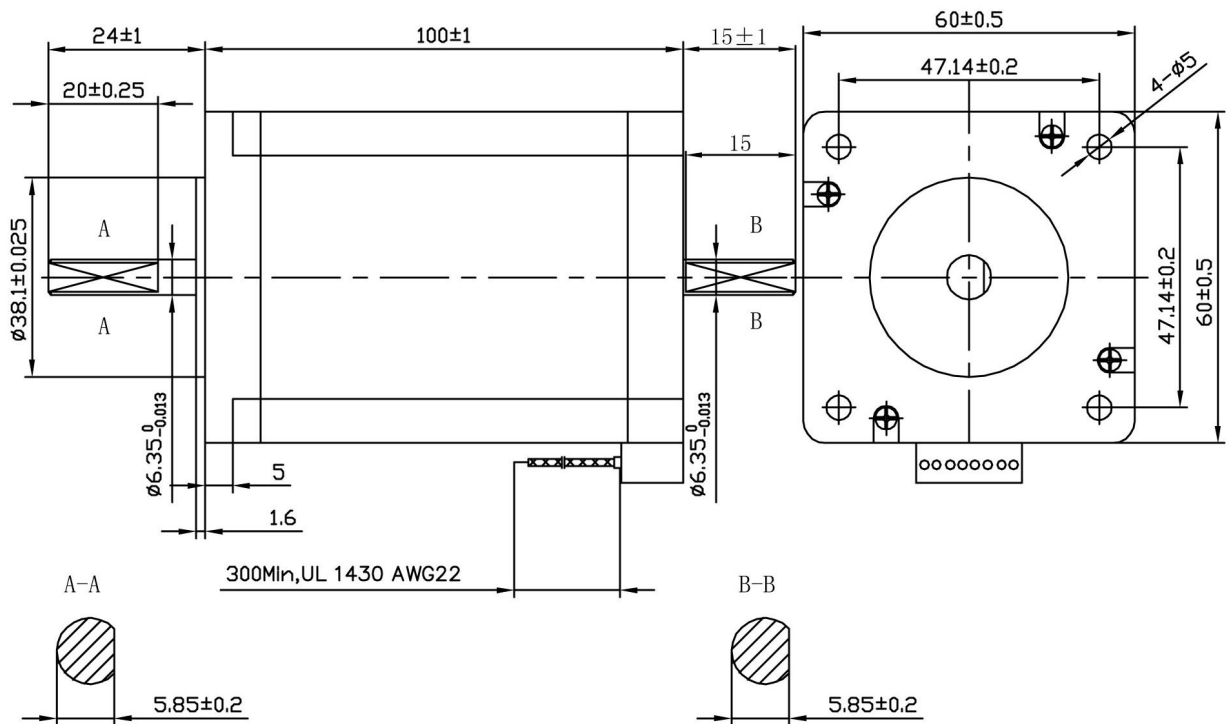


Dimension:



Specifications:

| MODEL | PHASE | STEP ANGLE DEG /STEP | RATED VOLTAGE V | CURRENT /PHASE A | RESISTANCE /PHASE Ω | INDUCTANCE /PHASE mH | HOLDING TORQUE N · m | ROTOR INERTIA g · cm <sup>2</sup> | WEIGHT Kg |
|-------|-------|----------------------|-----------------|------------------|---------------------|----------------------|----------------------|-----------------------------------|-----------|
|       | 2     | 1.8                  | 5.1             | 3.0              | 1.7                 | 7.0                  | 3.5                  |                                   |           |

Wiring Diagram:

