

200W Single Output Switching Power Supply

- AC input range selectable by switch
- Protections: Short circuit / Overload
Over voltage / Over temp.
- Fixed switching frequency at 25KHz
- Cooling by free air convection
- 100% full load burn-in test
- Compact size, light weight
- Low cost, high reliability
- 1 year warranty

AC input voltage range 90~132VAC/ 180~264VAC selectable by switch

AC inrush current Cold start, 25A at 115VAC, 50A at 230VAC

DC adjustment range $\pm 10\%$ rated output voltage

Overload protection 105%~135% hiccup mode, auto-recovery

Over voltage protection 115%~145% rated output voltage

Setup, rise, hold up time 200ms, 100ms, 20ms at full load and 230VAC

Withstand voltage I/P-O/P:1.5KVAC, I/P-FG:1.5KVAC, 1minute

Working temperature $-10\sim 50^{\circ}\text{C}$ (refer to output derating curve)

Safety standards Design refer to UL1950

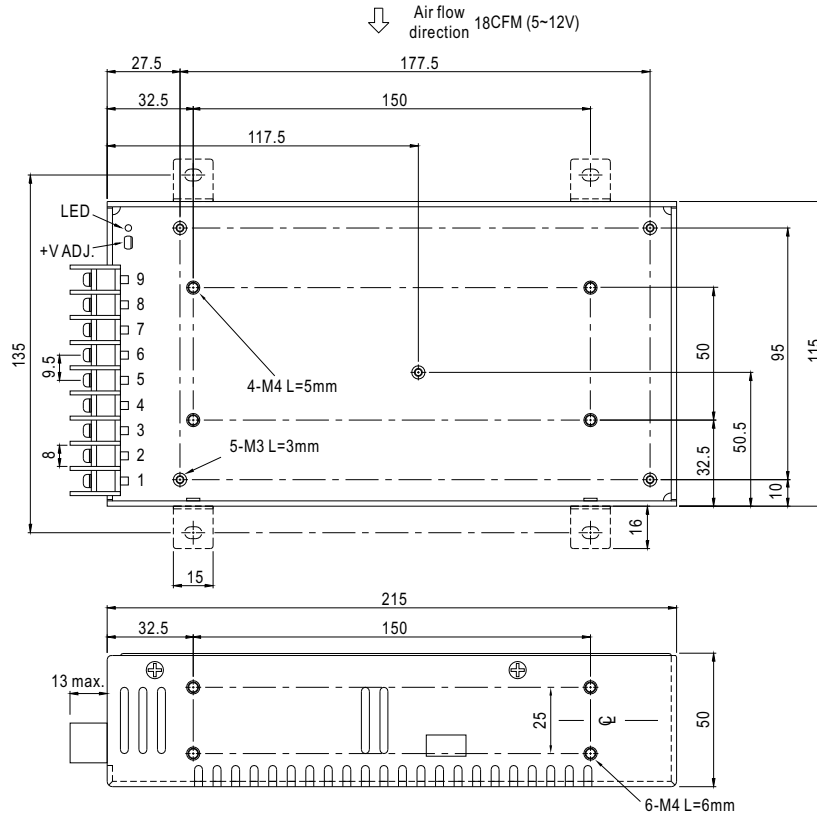
EMC standards Design refer to FCC part 15 J

Connection 9P/ 9.5mm pitch terminal block

Packing 0.9kg ; 17pcs / 16.0kg / 1.25CUFT

Model No.	Output	Tol.	R&N	Effi.
S-201-7.5	7.5V, 0~26.5A	$\pm 2\%$	150mV	79%
S-201-12	12V, 0~16.5A	$\pm 1\%$	150mV	80%
S-201-13	13V, 0~15.46A	$\pm 1\%$	150mV	80%
S-201-13.5	13.5V, 0~14.7A	$\pm 1\%$	150mV	80%
S-201-15	15V, 0~13.0A	$\pm 1\%$	150mV	81%
S-201-24	24V, 0~8.30A	$\pm 1\%$	150mV	83%
S-201-27	27V, 0~7.40A	$\pm 1\%$	200mV	83%
S-201-40	40V, 0~5.0A	$\pm 1\%$	240mV	84%
S-201-48	48V, 0~4.20A	$\pm 1\%$	240mV	84%

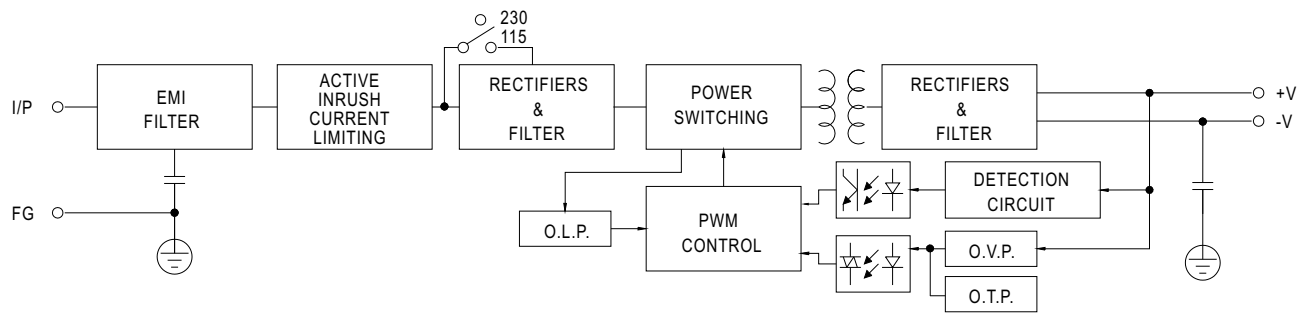
Mechanical Specification



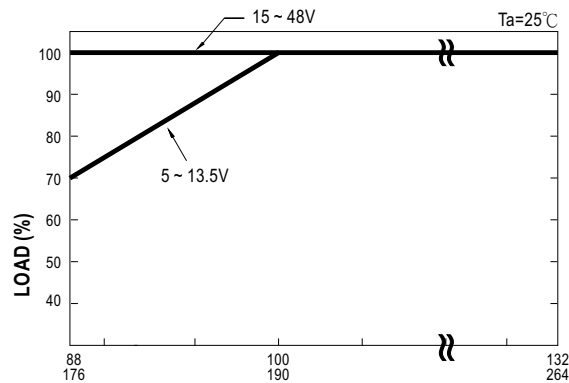
Terminal Pin No. Assignment :

Pin No.	Assignment	Pin No.	Assignment
1	AC/L	4~6	DC OUTPUT -V
2	AC/N	7~9	DC OUTPUT +V
3	FG \perp		

Block Diagram



Static Characteristics





215x 115x 50 mm