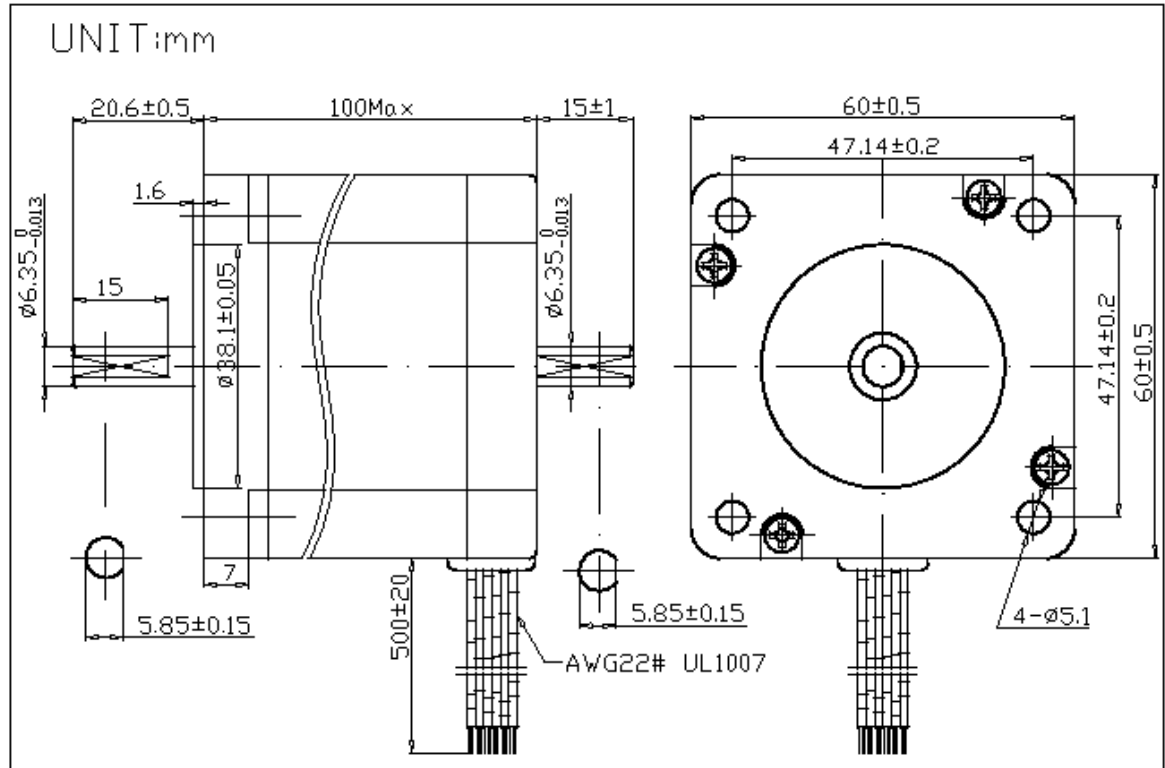


Hybrid Stepper Motor

Automation Technology Inc.

Automationtechnologiesinc.com



| | Holding Torque (2 phases on) N. cm $\pm 10\%$ | Rated Current/Phase (Amps DC) | Resistance/Phase (ohms) $\pm 10\%$ | Voltage/Phase (V DC) | Inductance/Phase (mH) $\pm 20\%$ Typical (1kHz) |
|--------------------|---|-------------------------------------|---------------------------------------|-------------------------|---|
| Unipolar | 420 | 3.5 | 1.2 | 4.2 | 2.7 |
| Bipolar (Series) | 570 | 2.5 | 2.4 | 3.0 | 10 |
| Bipolar (Parallel) | 570 | 5.0 | 0.6 | 3.0 | 2.7 |

