

Hybrid Stepping Motor

Type:KL34H2160-62-8A

COMMON RATINGS

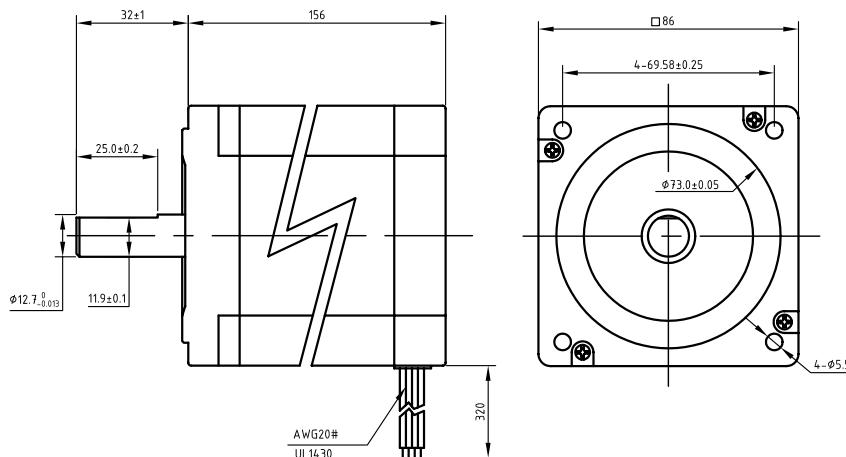
Step angle: 1.8°
 Positional accuracy: +/-5%
 Number of Phase: 4
 Temperature rise: 80°C Max
 Inertia: 4000 gcm²

Dielectric strength: 500VDC
 Insulation resistance: 100MΩ(500VDC)
 Radial play: 0.025mm max.(load 450g)
 Insulating class: B
 Weight: 5.6 kg

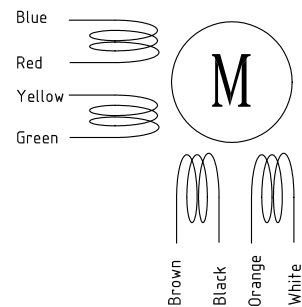
SPECIFICATIONS

	Holding Torque (2 phases on) N.m ±10%	Rated Current/Phase (Amps DC)	Phase Resistance (ohms) ±10%	Voltage Current/Phase (V DC)	Phase Inductance (mH) ±20% Typical (1kHz)
Unipolar	9.0	6.2	0.75	4.7	5.0
Bipoar(Series)	12.8	4.4	1.5	6.6	20
Bipoar(Parallel)	12.8	8.8	0.38	3.3	5.0

DIMENSIONS unit=mm



CONNECTIONS



WIRINGS CONNECTION DIAGRAM

