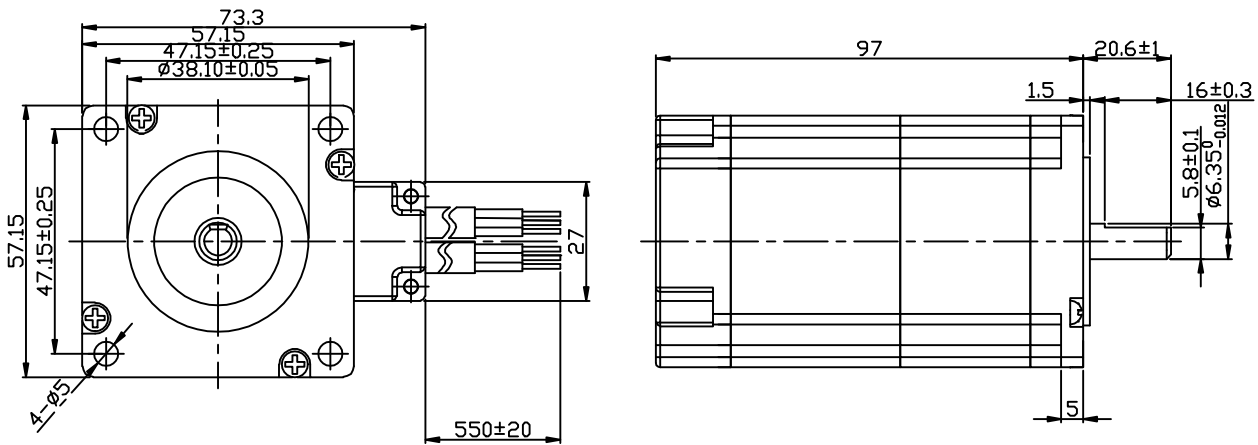


Hybrid Stepper Motor KL23-2N-1000

Dimension:



MODEL	PHASE	STEP ANGLE	RATED VOLTAGE	CURRENT /PHASE	RESISTANCE /PHASE	INDUCTANCE /PHASE	HOLDING TORQUE	ROTOR INERTIA	WEIGHT
		DEG/STEP	V	A	ohms	mh	N.m	Kg.cm ²	KG
KL23	3	1.2	2.1	5.8	0.62	1.85	2	0.48	1.25

