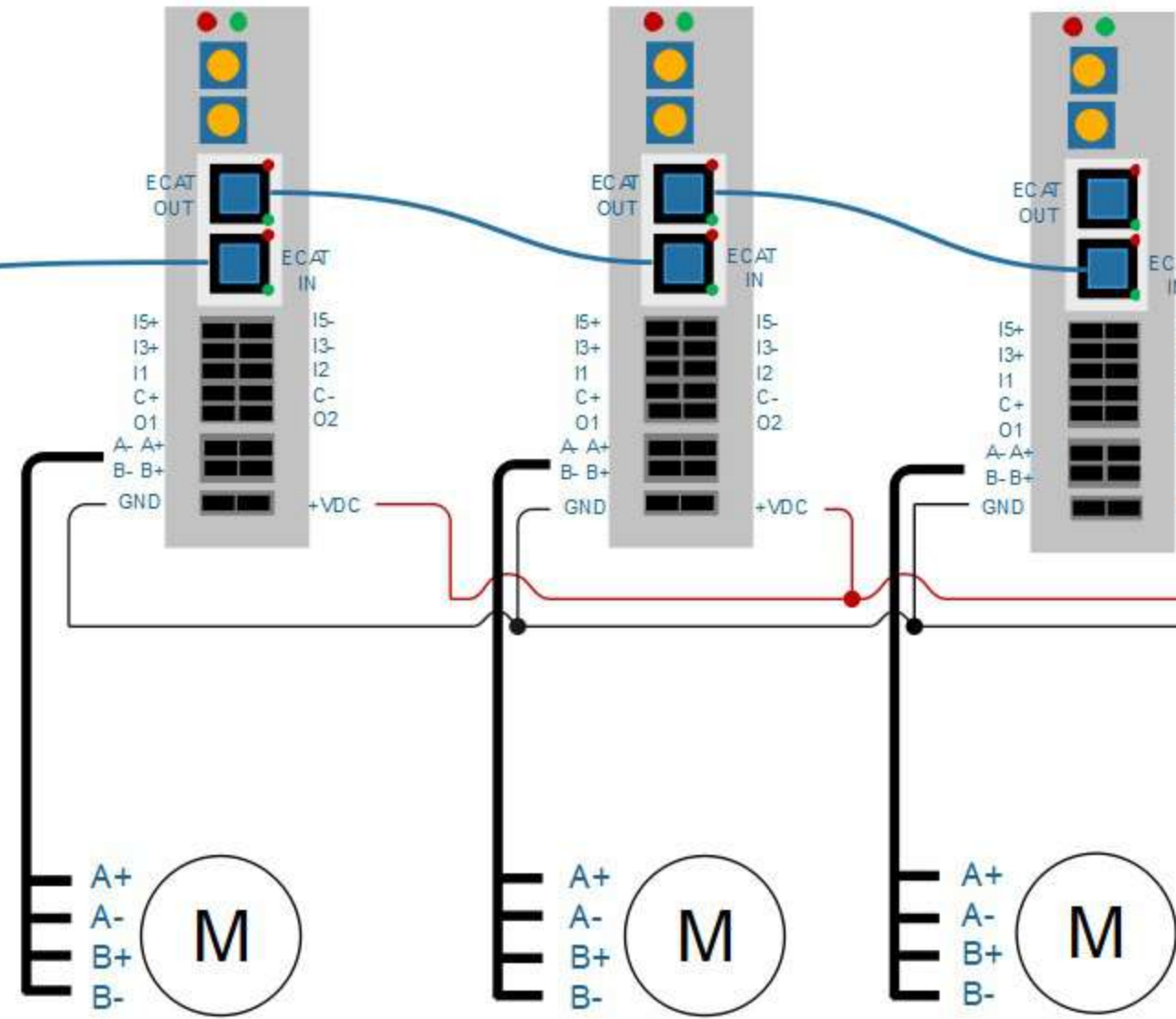




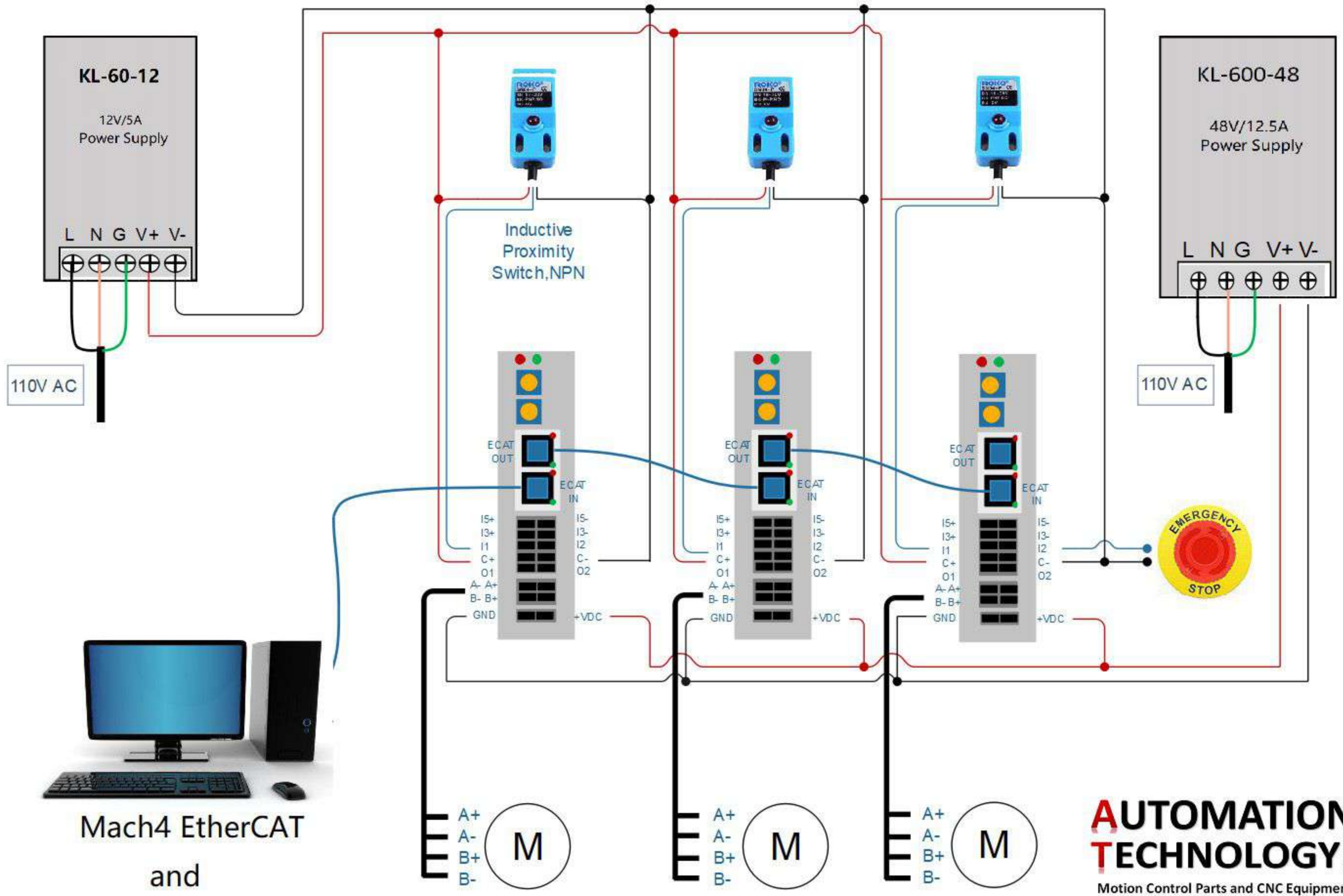
Mach4 EtherCAT
and
Kingstar SoftMotion Software



110V AC



AUTOMATION TECHNOLOGY
Motion Control Parts and CNC Equipment.



Mach4 EtherCAT
and
Kingstar SoftMotion Software

**AUTOMATION
TECHNOLOGY**
Motion Control Parts and CNC Equipment.