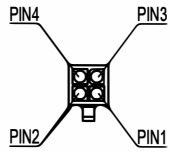
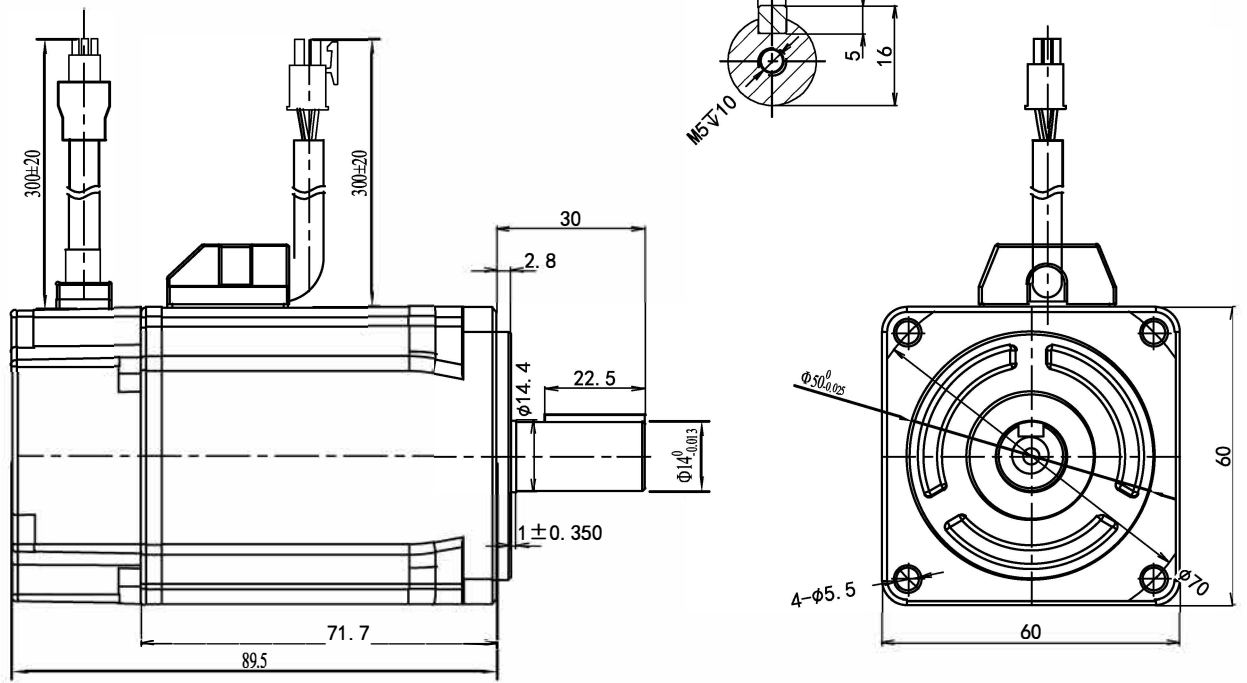


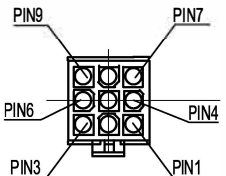
| | |
|--|-----------------------|
| Rated Voltage (Vac) | 200-220 |
| Rated Power (w) | 400 |
| Rated Torque (N.m) | 1.27 |
| Peak Torque (N.m) | 4.46 |
| Rated Speed (rpm) | 3000 |
| Peak Speed (rpm) | 6500 |
| Rated Current (Amp) | 3.2 |
| Peak Current (Amp) | 11.2 |
| Torque Const (N.m/Amp) | 0.4 |
| Back EMF Const (V/krpm) | 23.5 |
| Resistance (Ω) | 2.64 |
| Inductance (mH) | 7.9 |
| Inertia (kg*m ² *10 ⁻⁴) | 0.56 |
| Poles | 10 |
| Encoder type | 23bit absolute |
| Protection level | IP65 |



| Wiring details of Power cable connector | | | | |
|---|----------|----------|----------|----------|
| Pos | 1 | 2 | 3 | 4 |
| Signal | U | W | V | PE |
| Color | blue | red | black | Yel/Gre |

| Connector Code Of Extension Cable Side | | | |
|--|-------------------|-------------------|-----------------|
| Type | Winding Connector | Encoder Connector | Brake Connector |
| Pin | 170362-1 | 170361-1 | -- |
| Plastic shell | AMP172159-1 | AMP172161-1 | -- |

| Connector Code Of Motor Side | | | |
|------------------------------|-------------------|-------------------|-----------------|
| Type | Winding Connector | Encoder Connector | Brake Connector |
| Pin | 170360-1 | 170359-1 | -- |
| Plastic shell | AMP172167-1 | AMP172169-1 | -- |



| Wiring details of encoder cable connector | | | | | | | |
|---|----------|----------|----------|----------|----------|----------|----------|
| Pos | 1 | 2 | 3 | 4 | 5 | 6 | 7 |
| Signal | PE | 5V | 0V | SD+ | SD- | BAT+ | BAT- |
| Color | shield | red | black | blue | yellow | brown | white |

Automation Technology Inc.

ELM0400LH60F-SS

60mm, high inertia, 400w servo motor
23bit absolute encoder, no brake