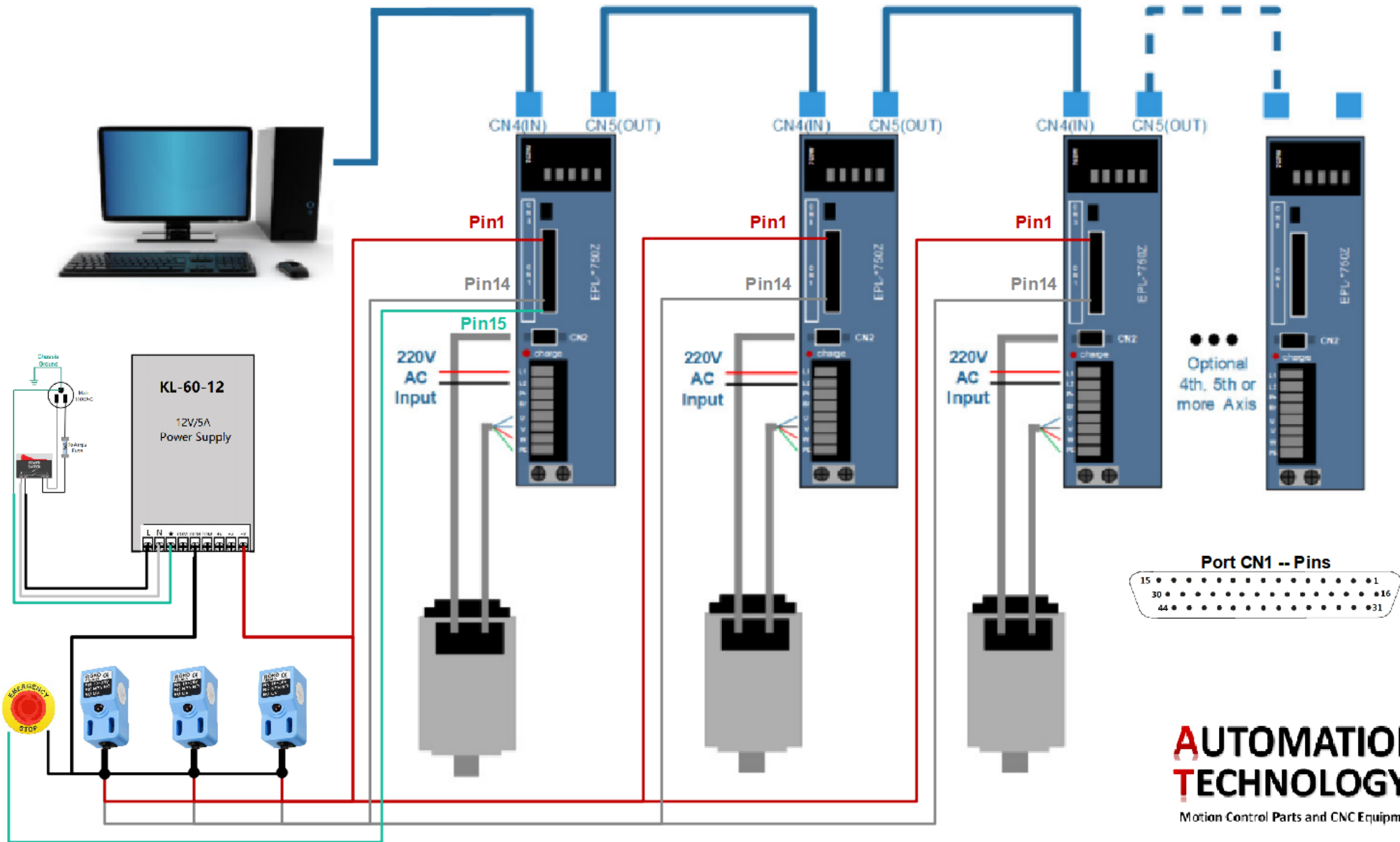


# EtherCAT Servo Motor Control System with Mach4



**AUTOMATION TECHNOLOGIES INC.**  
Motion Control Parts and CNC Equipment.

847-984-0882

www.automationtechnologiesinc.com