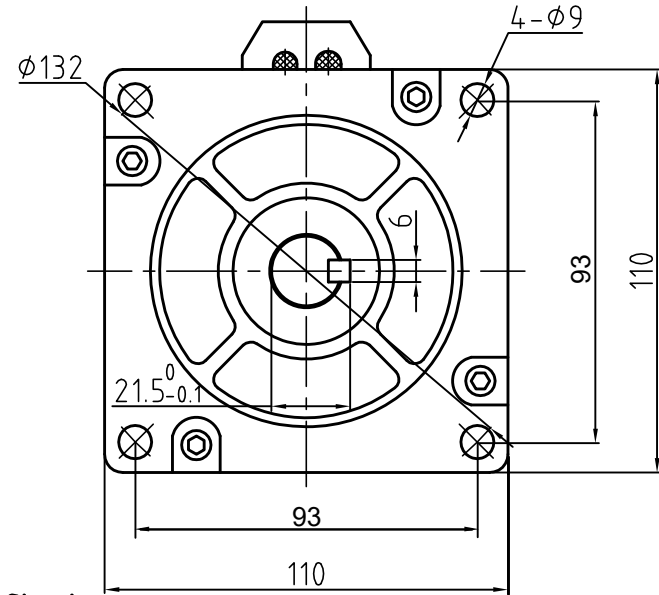
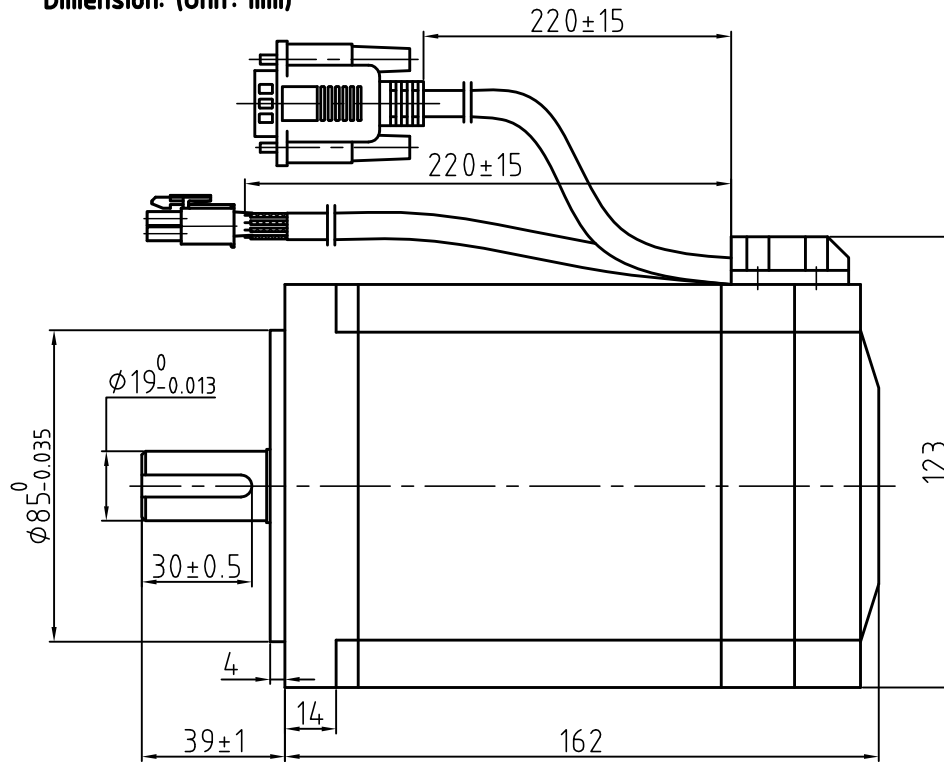


Rev	Date	ECN NO	Revisions	By
V1.0	21.6.24		cable length:220mm	Max

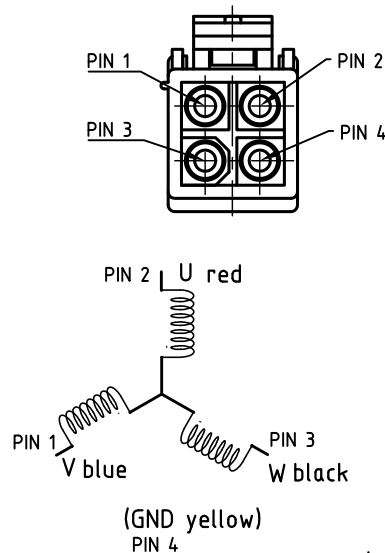
Dimension: (Unit: mm)



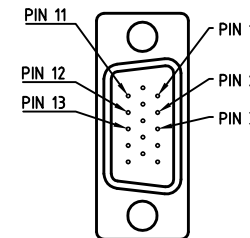
### Specification

Step angle	1.2°
Position accuracy	1.2±0.06°
Dielectric strength	1500VAC 1min
Insulation resistance	100MΩ(500VDC)
Insulation class	F
Temp rise(Max)	80K
Current/phase	4.2 A
Voltage	5 V
DC Resistance/phase	±10% 1.2 Ω
Inductance/phase	±20% 13 mH
Holding torque	12 N·M
Inertia	10.8 kg·cm <sup>2</sup>
Weight	8.6 kg
Encoder Resolution	1000 cpr

### Motor Connections



### Encoder Signals



PIN	1	2	3	11	12	13
Color	BLK	RED	WHT	YEL	GRN	BLU
Define	A+	VCC	GND	B+	B-	A-

First Angle projection			
Scale	Stage Mark		
Sheet 1 of 1			

Easy Servo Motor  
KL42-12N-1000