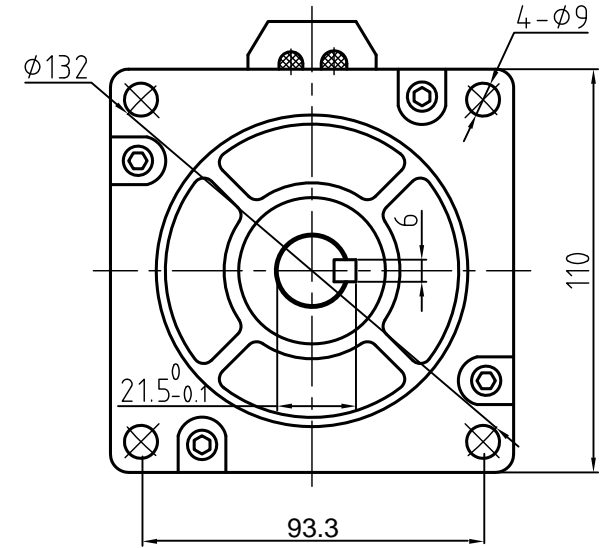
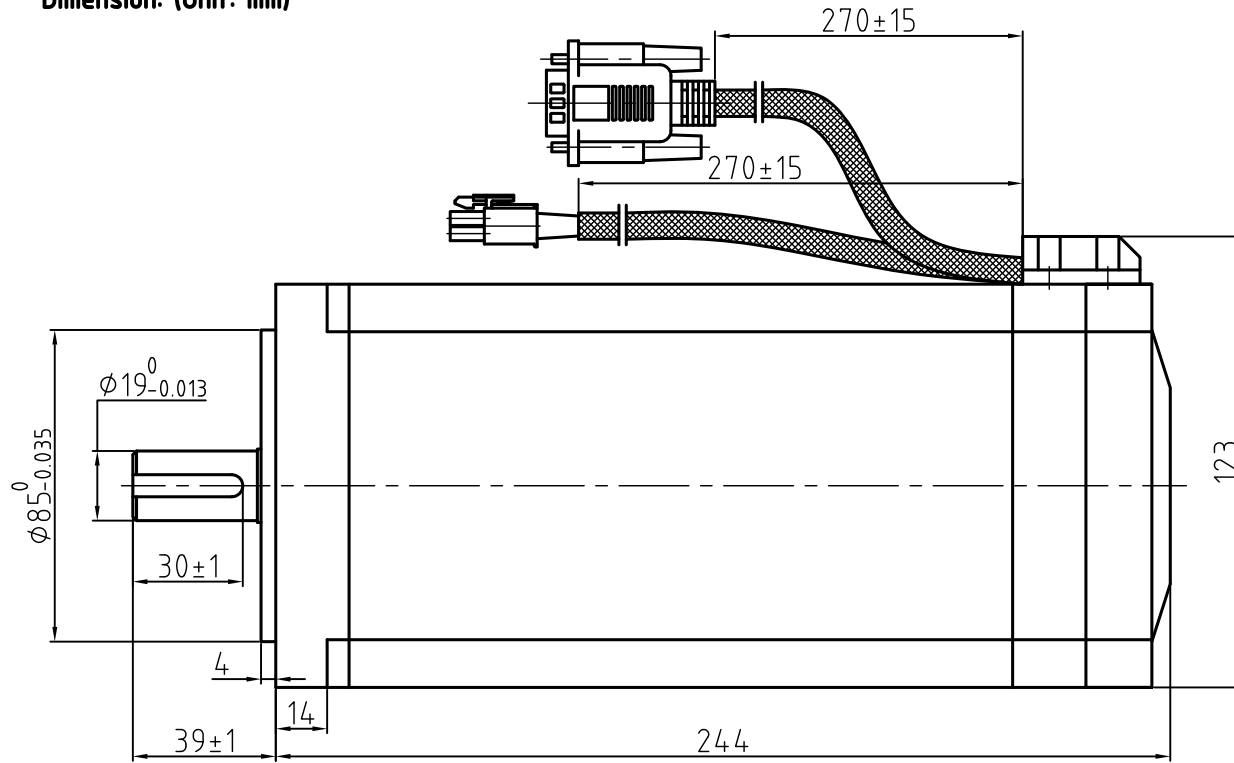


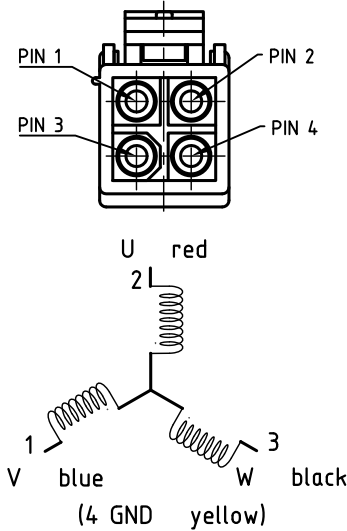
Dimension: (Unit: mm)



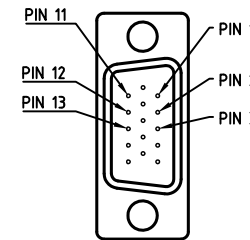
Specification

Step angle	1.2°
Position accuracy	1.2±0.06°
Dielectric strength	1500VAC 1min
Insulation resistance	100M0hm(500VDC)
Insulation class	F
Temp rise(Max)	80K
Current/phase	5.2 A
Voltage	10 V
DC Resistance/phase	±10% 1.9 Ω
Inductance/phase	±20% 18 mH
Holding torque	20 N·M
Inertia	17 kg·cm ²
Weight	12.8 kg
Encoder Resolution	1000 cpr

Motor Connctions



Encoder Signals



PIN	1	2	3	11	12	13
Color	BLK	RED	WHT	YEL	GRN	BLU
Define	A+	VCC	GND	B+	B-	A-

设计 Designed	日期 Date	材料 Material	KL42-20N-1000
审核 Checked		第一角画法 First Angle projection	标题 Title Easy Servo Motor
批准 Approved		重量Weight 比例Scale 阶段标记 Stage Mark	
料号 Part No.			