

NEMA23 Stepper Motor

KL23H76-30-4A

COMMON RATINGS

Step angle: 1.8°

Positional accuracy: +/-5%

Number of Phase: 2

Temperature rise: 80°C Max

Inertia: 480 gcm²

Dielectric strength: 500VDC

Insulation resistance: 100M0hm(500VDC)

Radial play: 0.025mm max.(load 450g)

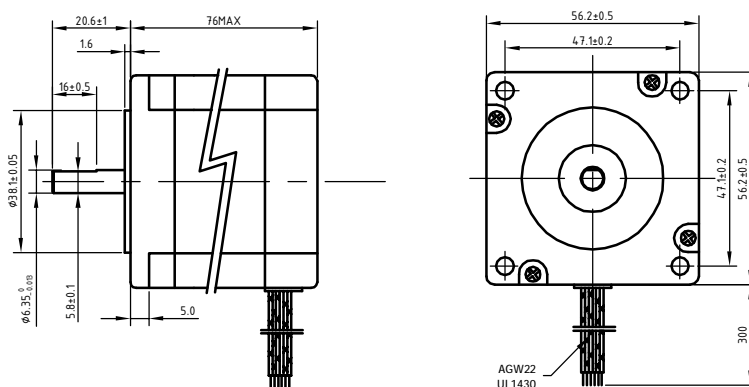
Insulating class: B

Weight: 1.0 kg

SPECIFICATIONS

	Holding Torque (2 phases on) N.m ±10%	Rated Current/Phase	Phase Resistance (ohms) ±10%	Phase Inductance (mH) ±20% Typical
Bipolar	2.0	3.0	1.2	4.7

DIMENSIONS unit=mm



CONNECTIONS

