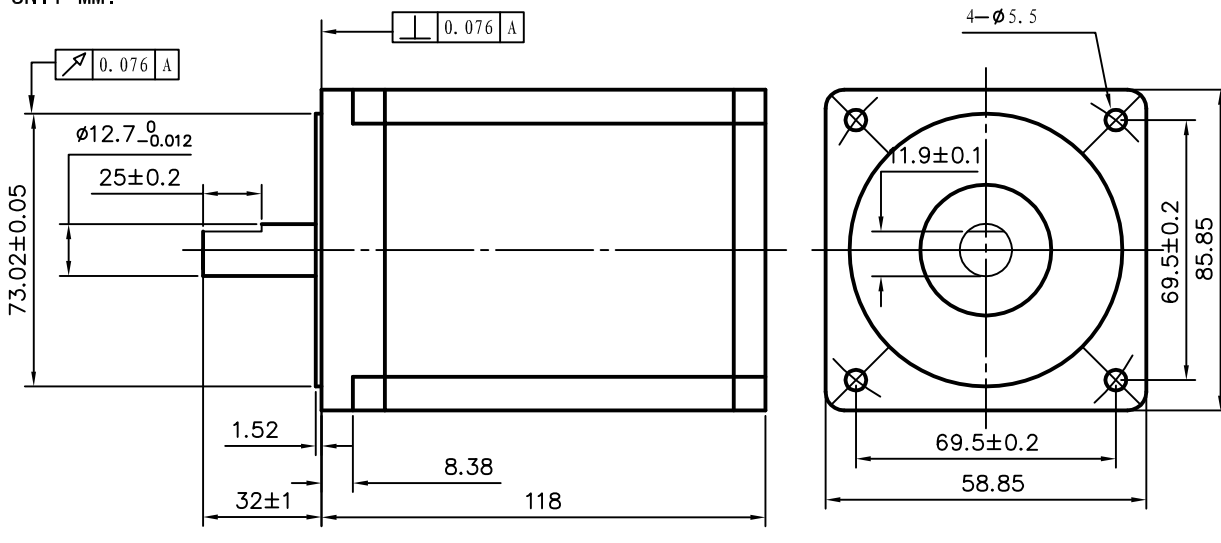


Hybrid Stepper Motor

KL34H2120-42-8A

UNIT=MM:



STEP ANGLE	CONNECTION STYLE	CURRENT	RESISTANCE	INDUCTANCE	HOLDING TORQUE	ROTOR INERTIA	WEIGHT
DEG/STEP		A	ohms	mH	OZ-IN	gcm ²	Kg
1.8	Parallel	6	0.6	6.5	1200	2700	3.8
	Series	3	2.4	26			
	Unipolar	4.2	1.2	6.5	857		

