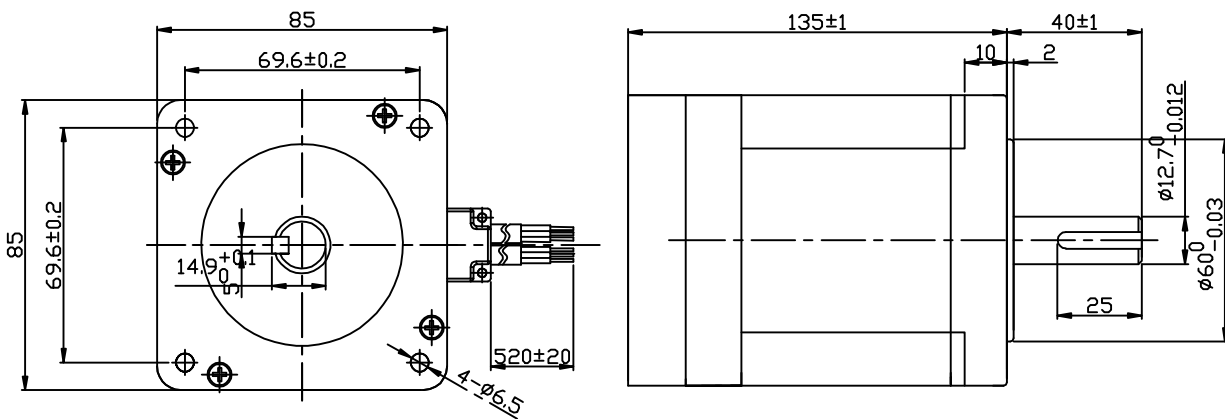


Hybrid Stepper Motor KL34-8N-1000

Dimension:



MODEL	PHASE	STEP ANGLE	RATED VOLTAGE	CURRENT /PHASE	RESISTANCE /PHASE	INDUCTANCE /PHASE	HOLDING TORQUE	ROTOR INERTIA	WEIGHT
		DEG/STEP	V	A	ohms	mh	N.m	Kg.cm ²	KG
KL34	2	1.8	2.6	6	0.44	3.73	8	2.58	3.8

