

Rev:01
Date:20051107

Automation Technology Inc.

Hybrid Stepper Motor Type:KL23H276-30-4A

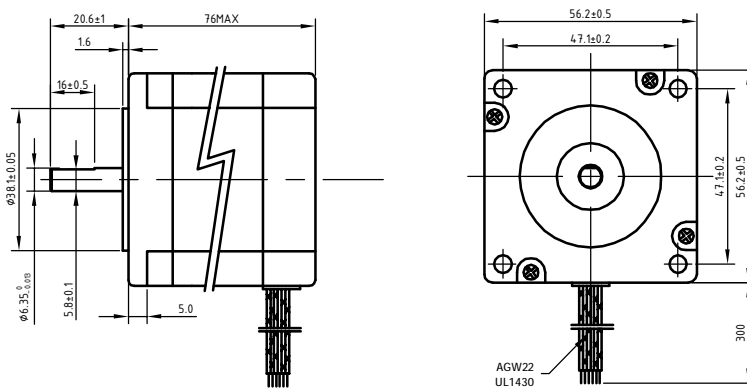
COMMON RATINGS

Step angle:1.8°	Dielectric strength: 500VDC
Positional accuracy: +/-5%	Insulation resistance: 100M0hm(500VDC)
Number of Phase: 2	Radial play: 0.025mm max.(load 450g)
Temperature rise: 80°C Max	Insulating class: B
Inertia: 480 gcm ²	Weight: 1.0 kg

SPECIFICATIONS

	Holding Torque (2 phases on) N.m ±10%	Rated Current/Phase (Amps DC)	Phase Reslstance (ohms) ±10%	Phase Inductance (mH) ±20% Typical
Bipolar	2.0	3.0	1.2	4.7

DIMENSIONS unit=mm



CONNECTIONS

