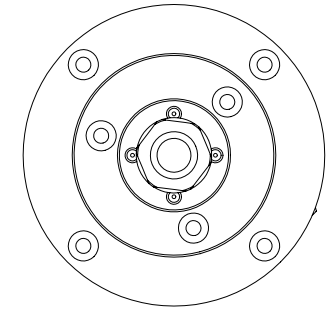
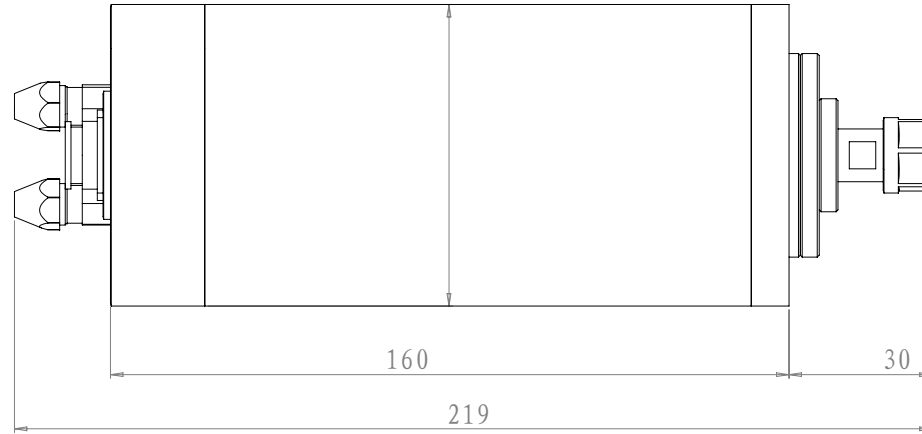
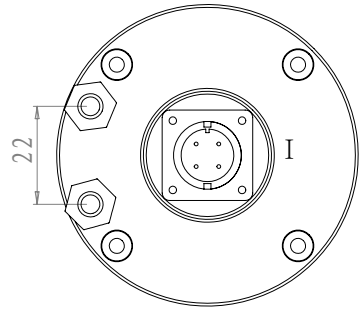


KL-800

Automation Technology Inc.



$\frac{I}{2 : 1}$

