

# Hybrid Stepping Motor

Type: KL23H256-20-6A

Rev: 1.1

Date:20131018

## COMMON RATINGS

Step angle: 1.8°

Positional accuracy: ±5%

Number of Phase: 4

Temperature rise: 80°C

Inertia: xxxxx gcm<sup>2</sup>

Dielectric strength: 500VDC

Insulation resistance: 100MΩ(500VDC)

Insulating class: B

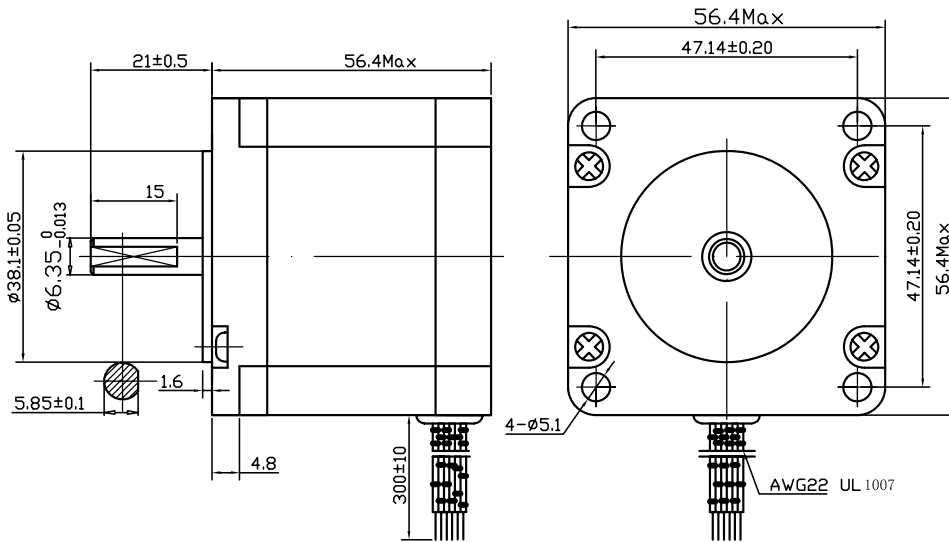
Radial play:0.025mm max. (load 300g)

Weight: 0.72kg

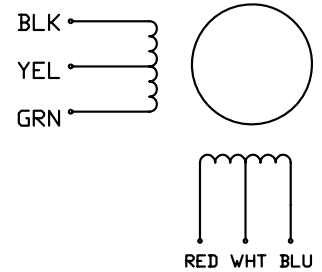
## SPECIFICATIONS

	Holding Torque (2 phases on) <b>oz-in</b>	Rated Current/Phase (Amps DC)	Resistance/Phase (ohms) ±10%	Voltage/Phase (V DC)	Inductance/Phase (mH) ±20% Typical (1kHz)
Unipolar	<b>127</b>	2.0	1.8	3.6	2.5
Bipolar (Series)	<b>166</b>	1.41	3.6	5.08	10

## DIMENSIONS unit=mm



## CONNECTIONS



## WIRINGS CONNECTION DIAGRAM

