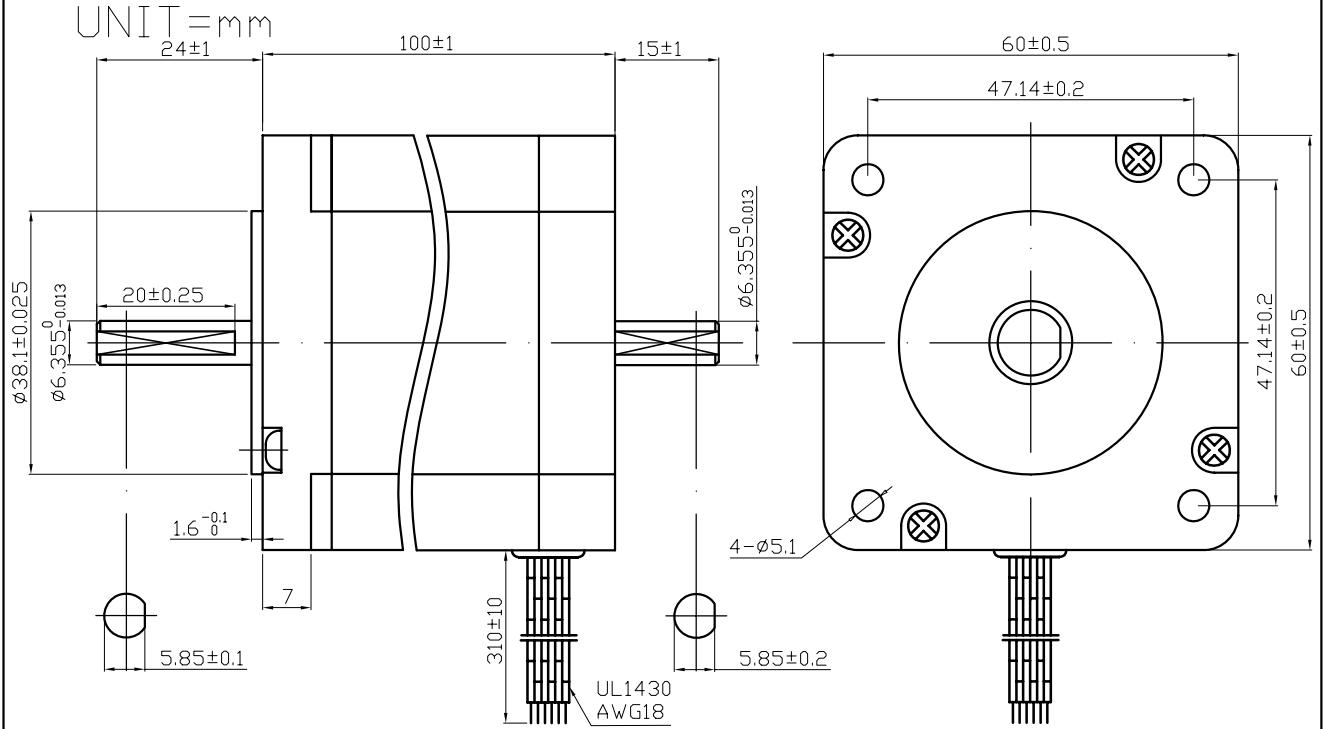


Hybrid Stepper Motor

KL23H2100-50-4BM

Rev: 1.0
Date:2015.01.10



◇ COMMON RATINGS

Temperature rise: 80°C
 Insulating class: B
 Radial play: 0.025mm max. (load 450g)

Dielectric strength: 500VDC
 Insulation resistance: 100MΩ(500VDC)

MODEL	PHASES	STEP ANGLE DEC /STEP	RATED VOLTAGE V	CURRENT /PHASE A	RESISTANCE /PHASE Ω (20°C)	INDUCTANCE /PHASE mH±20%	HOLDING TORQUE OZ-IN	ROTOR INERTIA g.cm	WEIGHT Kg
	2	1.8	3.0	5.0	0.6	2.5	570	xxx	2.4

