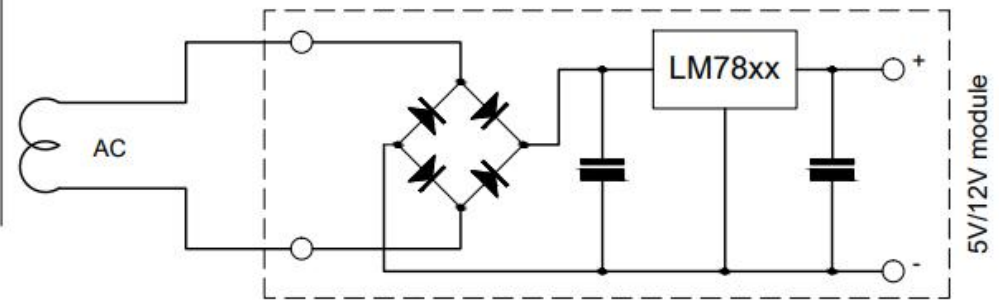
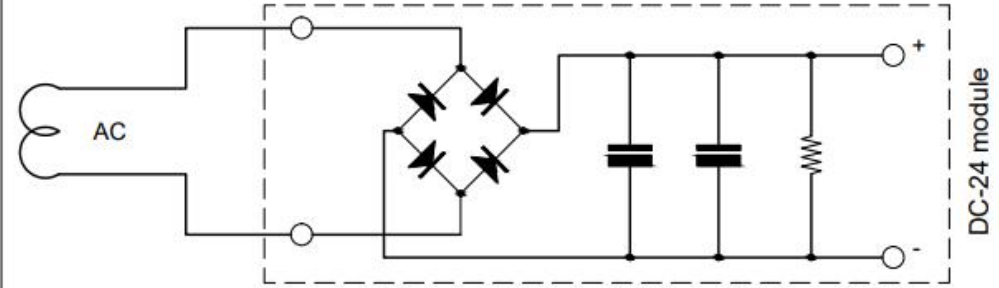
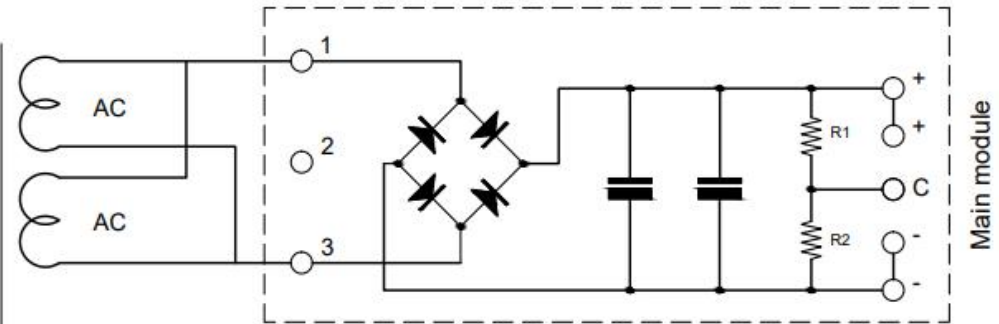
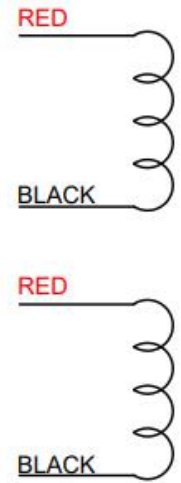


The polarity of the coils is in the same physical location of the wires on the transformer.



All outputs are isolated. The negative terminals need to connect together if you system is common negative.